

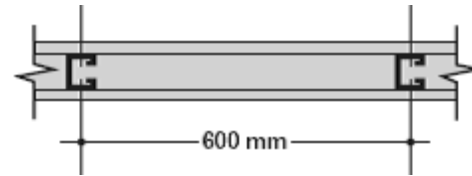
# SPECIFICATION | DRYWALL: STANDARD

## STANDARD DRYWALL APPLICATION:

For use in office walling, hotels, hospitals, schools or wherever a ½ hour Fire rating is required.

## ULTRASTEEL STUD DRYWALL -

Non-load bearing 12,5 mm  
Rhino-board - one layer each side



## RODENT PROOF CLASS B1

## WALL PROPERTIES

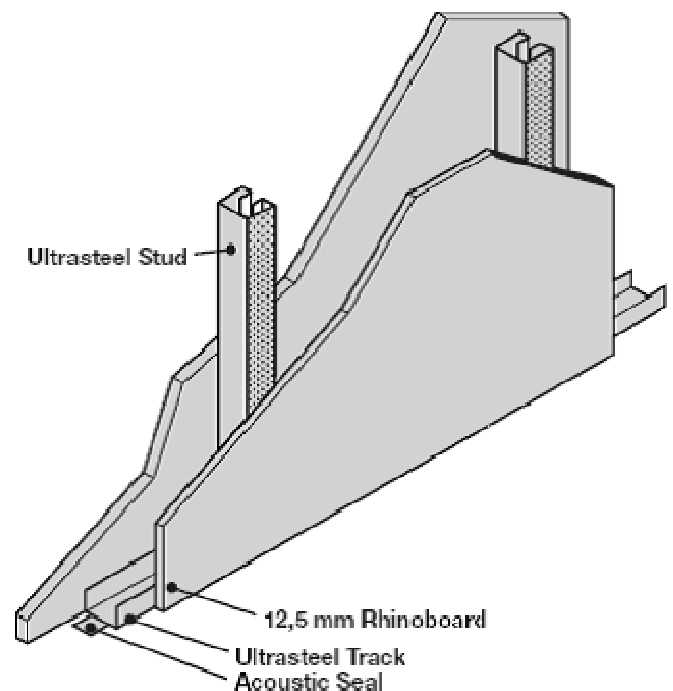
½ hour fire rating  
Sound Reduction Index

<b>STUD SIZE:</b>	51mm	63.5mm
<b>SOUND REDUCTION INDEX:</b>	36dB	41dB
<b>WALL THICKNESS:</b>	76mm	89mm

Approximate mass 23 kg/m<sup>2</sup>.

## Materials Used

1. 51 mm or 63,5mm Drywall Ultrasteel stud
2. 51 mm or 63,5mm Drywall Ultrasteel track
3. 12,5 mm Taper-edge Rhino-board
4. 25 mm Drywall screws
5. Rhino Drywall jointing system
6. Floor and ceiling finishes (eg skirtings)  
To be specified separately.



## Application Details

1. Set Ultrasteel studs spaced at 600 mm c/c into equivalent Ultrasteel track at floor and ceiling
2. Apply a single layer of 12,5 mm Rhino Taper-edge Wallboard to each side using 25 mm Drywall screws spaced at 220 mm c/c. Stagger joints.
3. Tape and joint according to data sheet (Hand Jointing Application)
4. Refer to data sheet Standard Clauses for Specifiers: Drywall Systems
5. Acoustic performance requires sealing between Ultrasteel track, floor, ceiling and any other abutment joints